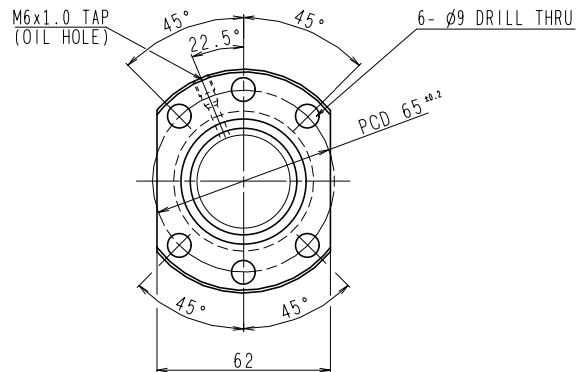
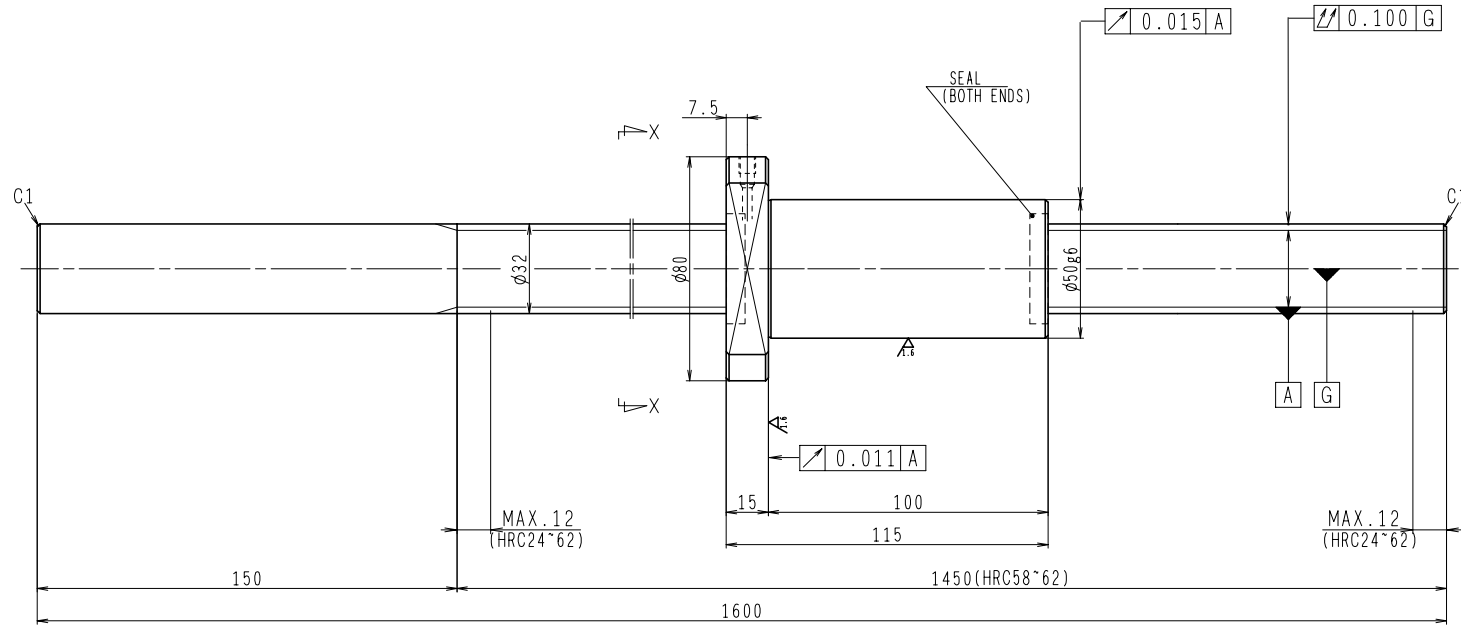


6.3 (✓)



VIEW X-X

LEAD ACCURACY			BALL SCREW SPECIFICATION			JIS B 1192-5	
	SPECIFIED TRAVEL : T	0	BALL NUT MODEL NO.	PFD3212-4	NOMINAL LEAD	12	
	MEAN TRAVEL DEVIATION : eP	0,054	ACCURACY GRADE AND AXIAL CLEARANCE	C5Z	BALL CIRCLE DIAMETER	33,25	
	VARIATION OVER THE TRAVEL LENGTH : v _v	0,035	AXIAL CLEARANCE OF BALL NUT	0	LEAD ANGLE	6°33'	
	VARIATION WITHIN 300MM TRAVEL : v ₃₀₀	0,018	BASIC LOAD RATING, DYNAMIC	28500 N	USED NO. OF THREAD STARTS	1	
			BASIC LOAD RATING, STATIC	58500 N	DIRECTION OF TURN	RIGHT	
		LOAD RATINGS ACCORDING TO ISO STANDARDS		BALL DIAMETER	4,7625 (3/16)		
		HARDNESS OF BALL TRACK	HRC 58~62	NO. OF TURNS	1		
		SCREW SHAFT	HRC 58~62	NO. OF CIRCUITS	4		
		BALL NUT	HRC 58~62	SPACER BALLS: LOAD BALLS	ALL LOAD BALLS		
PRELOAD TORQUE DATA			STIFFNESS			OPERATING CONDITION	
PRELOAD	1175 N					AXIAL LOAD	N
TORQUE RANGE	13,80 ~52,00 N-cm		WEIGHT			kg	
MEASURING CONDITION	ROTATING SPEED : 100 min ⁻¹		PREPACKED LUBRICANT			RUST PREVENTIVE OIL	
	LUBRICATING OIL : ISO VG68		PERMISSIBLE ROTATIONAL SPEED			min ⁻¹ (d·n=)	
			DEFAULT TOLERANCES			CUSTOMER	
			DIMENSION			ALTERNATIF	
			TO 6 ±0.1			APPLICATION	
			OVER 6 TO 30 ±0.2			HANDLING	
			OVER 30 TO 120 ±0.3			APR'VD Petersen	
			OVER 120 TO 400 ±0.5			CHECKED Ueda	
			OVER 400 TO 1000 ±0.8			DATE 05.07.2022	
			OVER 1000 TO 2000 ±1.2			SCALE free	
			OVER 2000 TO 4000 ±2			UNIT mm	
			OVER 4000 TO 8000 ±3			REF. NO. W3214G-22PY-C5Z12	
REVISIONS						DWG. NO.	
No.	DESCRIPTION	E.C.No.	DATE	BY	CUSTOMER'S DWG. NO. A0320120171		